

**SMOKE DAMPERS PRISMATIC – CKYD-01-01A**



CKYD-01



CKYD-01A

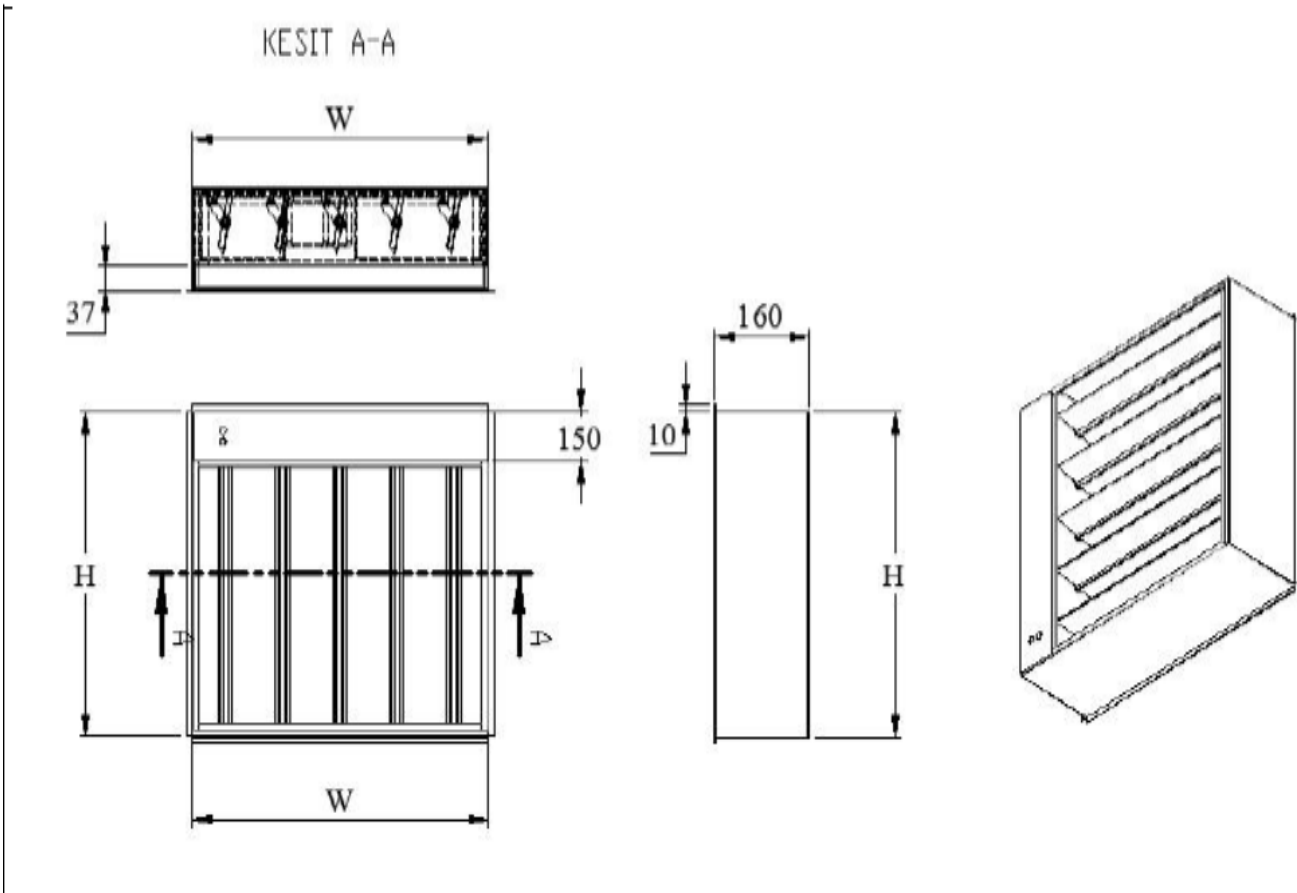
**Usage area and features:** It is used in ventilation systems to prevent the smoke emitted during fire from accumulating from people's escape routes. The damper fire signal of the desired region opens automatically by commanding the servo motor at the relevant point, quickly making the environment not affected by people. The degree of sealing complies with EN 1751 Class –C. It is kept in a closed position other than the fire and controlled by the engine.

**Material:** CKYD-01 Smoke Dampers 1,2 mm. It is produced from galvanized plate by cold rivet method without welding. The blades are manufactured from extruded aluminum profile. The wings operate in bronze bearings that do not require lubrication.

**Assembly:** Bolted as standard.

**Surface coating:** Galvanized coating

STANDARD DIMENSIONS – CKYD-01	
<b>W</b>	300 – 400 – 500 – 600 – 700 – 800 – 900 – 1000 -1100-1200-1300-1400-1500-1600-1700-1800-1900-2000
<b>H</b>	300 – 400 – 500 – 600 – 700 – 800 – 900 – 1000



**MAX. IN STANDARD MANUFACTURES. EFFECTIVE AREA**

		W							
		300	400	500	600	700	800	900	1000
H	300	0,039	0,069	0,099	0,129	0,159	0,189	0,219	0,249
	400	0,052	0,092	0,132	0,172	0,212	0,252	0,292	0,332
	500	0,065	0,115	0,165	0,215	0,265	0,315	0,365	0,415
	600	0,078	0,138	0,198	0,258	0,318	0,378	0,438	0,498
	700	0,091	0,161	0,231	0,301	0,371	0,441	0,511	0,581
	800	0,104	0,184	0,264	0,344	0,424	0,504	0,584	0,664
	900	0,117	0,207	0,297	0,387	0,477	0,567	0,657	0,747
	1000	0,130	0,230	0,330	0,430	0,530	0,630	0,730	0,830

PRESSURE AND SOUND LOSSES FOR SMOKE DAMPERS

WING ANGLES		AIR SPEED		0,5	1	2	3	4	6	8	10	20	
		STATIC PRESSURE	Pa	-	1	4,5	7,16	9,75	24,77	42,39	78,89	648,3	
WING ANGLES	0°		mmSS	-	0,1	0,46	0,73	0,99	2,52	4,32	8,04	66,09	
		SOUND LEVEL	dB	-	16	30	40	46	53	59	70	90	
	15°	STATIC PRESSURE	Pa	0,5	3,98	8,54	17,46	31,23	47,86	93,14	363,78	1580,9	
			mmSS	0,05	0,41	0,87	1,78	3,18	4,88	9,49	37,08	161,15	
		SOUND LEVEL	dB	10	22	38	46	53	58	70	81	-	
	30°	STATIC PRESSURE	Pa	4,49	9,05	31,12	45,45	76,61	237,97	575,85	1713,4	5384,7	
			mmSS	0,46	0,92	3,17	4,63	7,81	24,26	58,7	174,66	548,9	
		SOUND LEVEL	dB	20	32	49	55	60	71	83	95	-	
	45°	STATIC PRESSURE	Pa	9,78	24,36	79,98	239,24	474,35	1314,1	3384,8	5887,3	-	
			mmSS	1	2,48	8,15	24,39	48,35	133,96	345,04	600,13	-	
		SOUND LEVEL	dB	31	47	58	68	78	89	-	-	-	
60°	STATIC PRESSURE	Pa	49,98	276,12	952,23	2503,1	-	-	-	-	-		
		mmSS	5,09	28,15	97,07	255,16	-	-	-	-	-		
	SOUND LEVEL	dB	52	62	84	95	-	-	-	-	-		
75°	STATIC PRESSURE	Pa	362,67	1530,1	4538,1	6011,2	-	-	-	-	-		
		mmSS	36,97	155,97	462,6	612,76	-	-	-	-	-		
	SOUND LEVEL	dB	70	90	-	-	-	-	-	-	-		